

FLOORIGO®

EMBOSED IN REGISTER SPC COLLECTION



www.floorigo.com.hk



FLOORIGO was established in 2021, headquartered based in the Enschede, Netherlands and marketed mainly in Europe, the goal is to provide consumers with high-quality and stylish flooring.

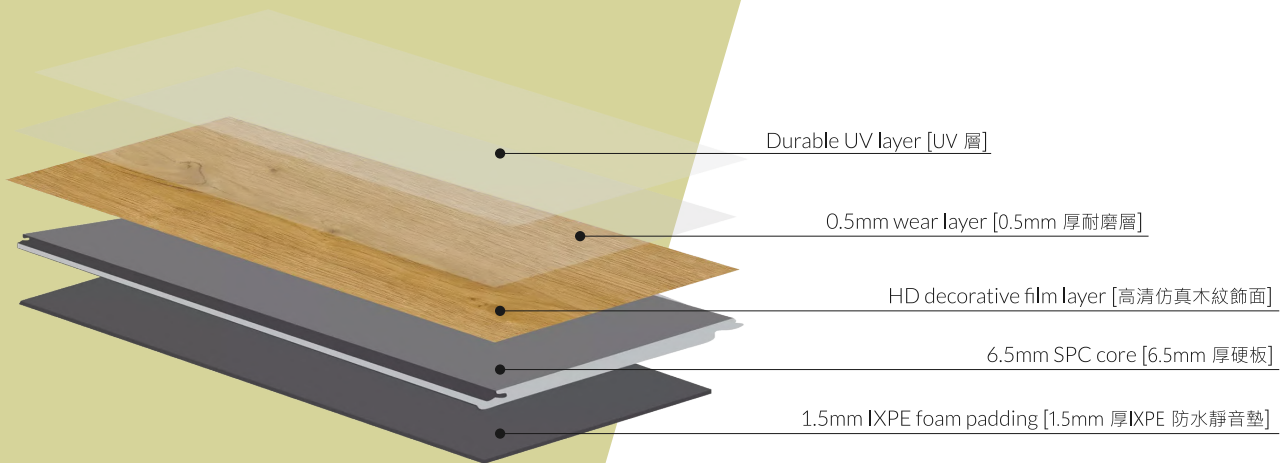
Our manufactory has been focusing on flooring manufacturing for more than 26 years. From raw materials to production, every step in the production process has strict quality control by Floorigo specialists and also ensures Floorigo' stable product quality. We are always committed to producing the world's best flooring for global customers.

FLOORIGO成立於2021年，總部位於荷蘭恩斯赫德，主要行銷歐洲，目標是為消費者提供高品質、時尚的地板。

我們的工廠專注於地板製造超過 26 年。從原料到生產，生產過程的每一步都經過Floorigo 專家嚴格的品質控制，也保證了Floorigo穩定的產品品質。我們始終致力於為全球客戶生產世界上最好的地板。



structure: 結構



advantage: 優點

EIR technology [同步壓紋技術]

Perfect for those who want a realistic and natural design. The floors have embossing, creating a 3D effect that matches the surface texture with the design pattern.

非常適合想要逼真自然設計的人。地板具有自然的同步壓紋，營造出與表面紋理與設計圖案相匹配的 3D 效果。

Uniclic locking system [Unilin 鎖扣系統]

Uniclic is widely known for its strong locking performance due to the possibility to use pre-tension. The Uniclic profile can thus be designed in such a way that the flexible lower lip will still be under a bit of stress after locking. This tension pulls the engaged planks closer together, which ensures there are no unwanted gaps or spaces between floors.

Uniclic 因其強大的鎖定性能而廣為人知，Uniclic 的設計方式可以讓下扣在鎖定後仍可以承受一定的壓力。這種張力將地板接合得更緊，從而確保地板之間沒有不必要的空隙。

6.5+1.5mm combination [6.5+1.5mm組合]

The floor is made of a 6.5mm hard board + 1.5mm waterproof and silent bottom pad, which provides stronger durability for the floor lock than other brands of 6+2mm combination. At the same time, the bottom pad is not too soft and lacks support.

地板以6.5mm硬板+1.5mm防水靜音底墊組合，比其他牌子的6+2mm組合更名為地板鎖扣提供更強的耐用度，同時亦不會因為底墊太軟而不夠承托力。

Enhanced anti-scratch treatment [加強抗刮處理]

The floor surface is specially treated with anti-scratch treatment, making it less prone to scratches than other brands.

地板表面特別加強抗刮處理，比其他牌子更不易出現花痕。

Health and Safety [安全衛生]

The floor is made of new raw materials. The material has excellent waterproof, antibacterial and anti-fungal properties. It can effectively inhibit the growth of bacteria, mold and fungi. No harmful substances are used in the manufacturing process and no toxic gases are released, which is harmful to the indoor environment. There is no negative impact on air quality.

Health and Safety.

地板以全新原料製成，材料具有出色的防水、抗菌和抗霉菌的特性，能夠有效抑制細菌、霉菌和真菌的生長，並且在製造過程中不使用有害物質，不會釋放出有毒氣體，對室內空氣質量沒有負面影響。

Extremely low-level formaldehyde, no heavy metals [甲醛含量極低，不含重金屬]

Passed German DIBt/AgBB certification, testing more than 140 types of formaldehyde and other volatile organic compounds in indoor environments. Passed American Society for Testing and Materials ASTM F963-17 testing with no detectable total lead and soluble heavy metals.

通過德國DIBt/AgBB認證，檢測室內環境中140多種甲醛和其他揮發性有機化合物。通過美國測試與材料協會 ASTM F963-17 測試，未檢測到總鉛和可溶性重金屬。

Laboratory Quality Control [實驗室品質控制]

Our laboratory testing covers many key elements, including material composition analysis, wear resistance testing, quality control and more. Through sophisticated testing and analysis, we can verify flooring materials' performance and compliance with industry standards. These rigorous laboratory tests ensure the quality and reliability of our products, providing customers with confidence and assurance.

我們的實驗室測試涵蓋許多關鍵要素，包括材料成分分析、耐磨性測試、品質控制等。透過複雜的測試和分析，我們能夠驗證地板材料的性能以及是否符合行業標準。這些嚴格的實驗室測試確保了我們產品的品質和可靠性，為客戶提供了信心和保證。

Certificate Authentication [證書認證]

FLOORIGO Flooring products have already got many certificates such as Floorscore, CE Certificate and SGS test report. Our factory has also got the ISO9001 (Quality Management System) and ISO14001 (Environment Management System) certificate.

FLOORIGO 地板產品已獲得Floorscore、CE證書和SGS測試報告等多項證書。我廠也獲得了ISO9001 (品質管理系統) 和ISO14001 (環境管理系統) 證書。



Chocolate Velvet

絲絨朱古力

Design Code: EIR52876

設計編號：EIR52876

Plank Size: 232 x 8 x 1524mm

地板尺寸：232 x 8 x 1524mm

Package: 4 planks

包裝：4件







Gourmet Honey

美味蜂蜜

Design Code: EIR63723

設計編號：EIR63723

Plank Size: 232 x 8 x 1524mm

地板尺寸：232 x 8 x 1524mm

Package: 4 planks

包裝：4件





Butique Beige

精品米色

Design Code: EIR63724

設計編號：EIR63724

Plank Size: 232 x 8 x 1524mm

地板尺寸：232 x 8 x 1524mm

Package: 4 planks

包裝：4件





Quill Gray

羽毛灰

Design Code: EIR63725

設計編號：EIR63725

Plank Size: 232 x 8 x 1524mm

地板尺寸：232 x 8 x 1524mm

Package: 4 planks

包裝：4件





French Bistre

法國小酒館

Design Code: EIR63726

[設計編號：EIR63726]

Plank Size: 232 x 8 x 1524mm

地板尺寸：232 x 8 x 1524mm

Package: 4 planks

包裝：4件



technical data: 技術資料

Specification 規格	
Dimensions 尺寸	232 mm x 1524 mm
Total thickness 總厚度	8 mm (6.5 mm SPC Rigid Core + 1.5 mm IXPE)
Wear layer thickness 耐磨層厚度	0.5 mm
Click system 鎖扣系統	Unidic by Unilin Technologies
Package 包裝	4 planks (15.22 ft ²)

Safety criteria 安全要求	Test Method 測試方法	Detection/Result 檢測/結果
Flammability 易燃	EN 13238:2001	Bfl-s1
Slip resistance 防滑性	DIN 51130	R10
Total lead (Pb) in substrate materials 基材材料中的總鉛 (Pb)	ASTM F963-17	Not detected
Soluble heavy metal in substrate materials 基材中可溶性重金屬	ASTM F963-17	Not detected
Content of pentachlorophenol (PCP) 五氯酚 (PCP) 含量	CEN/TR 14823:2006	Not detected
Formaldehyde emission 甲醛釋放量	ENV 717-1	0.004 mg/m ³ (E1)
VOC emission 揮發性有機化合物釋放量	AgBB 2021	Pass

Performance behaviour 性能數據	Test Method 測試方法	Detection/Result 檢測/結果
Dynamic coefficient of friction 動摩擦係數	ANSI/NFSI B101.3-2012	Wet DCOF value: 0.44
Static coefficient of friction 靜摩擦係數	ASTM D2047-17	Dry condition: 0.67
Locking strength 鎖扣強度	ISO 24334:2014	X direction: 4.0 kN/m, Y direction: 3.0 kN/m
Critical radiant flux 臨界熱量	ASTM E648-19a ^{E1}	Class I
Peel Strength 剝離強度	ASTM D903-98(2017)	X direction: 70.6N/25mm, Y direction: 66.2N/25mm
Colour Fastness to light 耐光色牢度	ISO 105-B02:2014	After standard 6 grade
Residual indentation 殘留壓痕	ASTM F3261-20 Section 8.1	Average: 0.04mm
Surface integrity 表面完整性	ASTM F3261-20 Section 8.2	No puncture through wear layer into rigid core
Resistance to chemicals 耐化學性	ASTM F3261-20 Section 8.4	No more than slight change
Resistance to heat 耐熱性	ASTM F3261-20 Section 8.5	Average ΔE^*ab : 0.81, Max ΔE^*ab : 1.05
Light ageing test-xenon-arc exposure 耐光照性	ASTM F3261-20 Section 8.6	Average ΔE^*ab : 1.4 (Pass)
Thickness swell 厚度膨脹	ASTM F3261-20 Section 8.8	With backing: 0.16%, Without backing: 0.09%
Dimensional stability 受熱後尺寸穩定性	ASTM F2199-20	X direction: -0.01%, Y direction: -0.01%
Curling 翹曲	ASTM F2199-20	Value: 0.05mm, Max: 0.08mm

*Thickness of tested specimen: 5 mm

*測試樣品厚度：5 mm

installation guide: 安裝指引

1. Storage and shipping

Make sure that all materials are stored and transported on a level and sturdy surface, laid flat and in neat stacks. Materials should not be stored in extremely cold (temperatures below 2°C) or hot (temperatures above 40°C) conditions or damp environments. (See Figure 1)

2. Prior to installation

Inspect the product: Do the colours match those you ordered; are the quantities correct and is there no visible damage to the packaging?

Acclimatisation: Acclimatisation is not necessary, but the ambient temperature of your job site should be between 18°C and 25°C.

Underfloor heating: If you have underfloor heating, ensure that the floor temperature is between 18°C and 25°C. If you are laying the floor in winter, make sure that the heating system is set to a low temperature from 72 hours before to 72 hours after the installation of your new floor. After laying the floor, be sure to observe the start-up protocol (see Point 5)!

Subfloor: The type of subfloor, its quality and any pre-treatment will have a major impact on the final result. To avoid irregularities in your SPC floor, the substrate must be clean (not contaminated by e.g. oil, wax, paint, etc.) and flat, free of dust, permanently dry and normally porous.

IRREGULARITIES ON A SUBFLOOR MAY NOT EXCEED 2 TO 3 MM MEASURED OVER A WIDTH OF 200 CM.

3. Installation conditions

Take the climatic conditions and the temperature of your job site into account: the ambient temperature must not be below 18°C and the floor temperature not lower than 15°C or higher than 25°C. A constant climate must be maintained from at least 48 hours before until at least 72 hours after laying. Any significant changes in room temperature as part of normal temperature control should be introduced only gradually. While laying the floor, check for any visible defects and do not use any planks or tiles that show imperfections.

Damp areas: The installation of FLOORIGO Click floors is subject to strict rules when installing them in a damp area. The floor is not suitable for installation near a rain shower, for example. Please observe the following rules when installing the floor:

- Use a subfloor that is suitable for SPC and damp areas.
- Take the necessary expansion joints into consideration.
- Do not seal the floor with sealant. This prevents the floor from naturally expanding and shrinking, increasing the risk of shrinkage and expansion seams.

4. Installation and finishing (see Figure 2)

Measure the area where the floor is to be laid and decide how to best to lay the strips.

DUE TO TEMPERATURE FLUCTUATIONS, AN EXPANSION JOINT (BETWEEN 5-10 MM) MUST ALWAYS BE MAINTAINED TO PREVENT THE FLOOR FROM WARPING.

Always lay a FLOORIGO Click floor lengthwise in the room (i.e. parallel to the longest wall). Before you start, check if the wall is straight so that the floor can be laid in a properly aligned and straight manner. The floor can then be laid row by row. Make sure that the elements are joined closely together so that the mechanical locking system closes cleanly and tightly. Also ensure that you do not unnecessarily lay many small planks in the areas that will be intensively used, or near doors.

The cut edges of the floor may not be placed under pressure against walls, upright elements and profiles. The floor can be laid continuously on surfaces up to 400 m². To cut plank to size, we recommend using a Stanley knife, starting from the top layer. Cutting the planks to size lengthwise is a bit more difficult with a Stanley knife. Little corners, like the ones you find near door posts and heating pipes, can also be cut to size using a jigsaw. It is best to use a saw for plastic or tiles.

Next, sealant can be used at the entrance and exit doors and adjoining areas.

When laying the floor, make sure that you maintain a distance of 5-10 mm between the edge of the plank and the wall. Corresponding spacers are available for this purpose.

It is best to start laying from the wall outwards.

1. Place the plank at an angle of 20 to 30° against the last plank you laid. Move the plank slightly upwards and downwards, while exerting forward pressure. The planks will click together by themselves.

2. As soon as enough rows have been laid, the floor can easily be finished as follows: place an unopened package of planks on the rows you have already installed. Change position and click the short side of the plank into the last plank you laid.

3. Now put your BOTH hands close to the joint and pull the long side of the plank towards you. The planks will now click together by themselves.

Make sure that the elements are staggered correctly. When laying the last row, the planks must be cut to measure in relation to the wall. A drawbar can be used as a laying aid on the long side. This is, however, not suitable for the short side.

The FLOORIGO Click floors can be laid according to two patterns:

Irregular bond: when laying an irregular bond pattern, the planks should not be laid in uniform sequence, but staggered criss-cross fashion. This method is used quite frequently and produces a beautiful result! The pattern is created by using the cut piece left over at the end of a row as the beginning of the next row. For a stable floor, the plank must have a minimum overlap in order to obtain a good bond. The plank with which you start the next row must be staggered by at least 20-25 cm.

Running bond: the running bond is a pattern in which you alternate whole and half planks, starting with a whole plank. This results in a continuous pattern.

5. Use of the floor

After the floor has been installed, it can be cleaned and used immediately.

Underfloor heating start-up protocol: At least 72 hours after completing the installation of your FLOORIGO Click floor, the water temperature can be increased gradually in small steps of 1°C per day until a maximum temperature of 27°C has been reached.

Cleaning after installation: The floor can be cleaned by sweeping, vacuuming or damp wiping using special PVC cleaning products. Always remove any stains e.g. of aggressive substances from the floor immediately!

Protection: Apply proper protection under your furniture. We recommend fitting your furniture with soft caps. Do not use felt, because dirt can accumulate under felt, which can scratch your floor.

Doormat: make sure you have a good doormat; this prevents a lot of dirt on the floor. Don't hesitate to get in touch with us if you need any more advice.

6. Maintenance

FLOORIGO floors are known for their high quality, durability and beauty. In order to retain its beautiful appearance, it is advisable that you maintain your floor properly. Sweep or vacuum your floor regularly, as sand and dirt will scratch the surface of the floor. Mop the floor regularly with lukewarm water, for extra cleaning only use special PVC cleaners. For the best result we recommend you ask your specialist for the correct maintenance products. Do not use chemicals or hard brushes/scouring pads as these will damage the top layer.

1. 儲存和運輸

確保所有材料都在水平且堅固的表面上儲存和運輸，並平整且堆疊整齊。材料不應存放在極冷（溫度低於2°C）或極熱（溫度高於40°C）條件或潮濕環境。

2. 安裝前

檢查產品：顏色是否與您訂購的相符；數量是否正確，包裝是否有明顯損壞？

適應：不需要適應，但工作現場的環境溫度應在 18°C 至 25°C 之間。

地暖：如果您有地暖，請確保地板溫度在 18°C 至 25°C 之間。鋪設地板後，請務必遵守啟動協議（請參閱第 5 點）！

底層地板：底層地板的類型、品質和任何預處理都會對最終效果產生重大影響。為了避免 SPC 地板出現不規則現象，基材必須清潔（不受油、蠟、油漆等污染）、平坦、無灰塵、永久乾燥且通常是多孔的。

在 200 公分的寬度上測量，底層地板上的不平整度不得超過 2 至 3 毫米。

3. 安裝條件

考慮工作地點的氣候條件與溫度：環境溫度不得低於18°C，地面溫度不得低於15°C或高於25°C。鋪設前至少 48 小時至鋪設後至少 72 小時必須保持恆定的氣候。作為正常溫度控制的一部分，室溫的任何顯著變化都只能逐漸進行。鋪設地板時，請檢查是否有任何明顯的缺陷，並且不要使用任何有缺陷的地板或瓷磚。

潮濕區域：FLOORIGO 鎖扣地板安裝在潮濕區域時需要遵守嚴格的規定。例如，該地板不適合安裝在花灑淋浴附近。安裝地板時請遵守以下規則：

·使用適合SPC和潮濕區域的底層地板。

·考慮必要的伸縮縫。

·不要用密封膠密封地板。這會阻止地板自然膨脹和收縮，從而增加收縮和膨脹接縫的風險。

4. 安裝整理（見圖2）

測量要鋪設地板的面積，並決定如何最好地鋪設地板條。

由於溫度波動，必須留有伸縮縫（5-10 毫米），以防止地板變形。

請務必在房間內縱向鋪設 FLOORIGO 鎖扣地板（即與最長的牆壁平行）。開始之前，檢查牆壁是否筆直，以便地板能夠正確對齊且筆直地鋪設。然後可以逐行鋪設地板。確保元件緊密連接在一起，以便機械鎖定係統乾淨、緊密地關閉。還要確保不要在密集使用的區域或門附近放置許多不必要的小地板。

地板的切割邊緣不得承受牆壁、直立元件和收口配件的壓力。地板可連續鋪設在面積達 400 平方米的面積上。要將木板切割成合適的尺寸，我們建議使用史丹利刀，從頂層開始割開。使用史丹利刀將地板縱向切割成一定尺寸有點困難，例如門柱和加熱管附近的小角落，也可以使用曲線鋸切割成適當的尺寸。最好使用鋸子來切割塑膠或瓷磚。

接下來，可以在入口和出口以及相鄰區域使用密封劑。

鋪設地板時，請確保地板邊緣與牆壁之間保持5-10毫米的距離。為此目的可使用相應的墊片。

最好從牆壁向外開始鋪設。

1.將地板與最後一塊木板成 20 至 30° 角放置。稍微向上和向下移動木板，同時施加向前的壓力。地板會自行卡合在一起。

2. 一旦鋪設了足夠的行，就可以按照以下方式輕鬆完成地板：將未開封的木板包放在已安裝的行上。改變位置，然後將木板的短邊卡入您放置的最後一塊木板上。

3. 只要將雙手靠近連接位，並將地板的長邊拉向自己，地板會自行卡在一起。

確保元件正確交錯。鋪設最後一排時，必須將地板切割成相對於牆壁的尺寸。拉桿可用作長邊的鋪設輔助工具。然而，這並不適合短邊。

FLOORIGO Click 地板可以依照兩種模式鋪設：

亂工：鋪設不規則圖案時，地板不應依統一順序鋪設，而應交錯縱橫交錯。這種方法經常使用，而且效果很好！該圖案是透過使用一行末尾留下的裁片作為下一行的開頭來創建的。對於穩定的地板，地板必須具有最小的重疊以獲得良好的黏合。用於開始下一行的地板必須錯開至少 20-25 公分。

對工：對工是一種從整塊地板開始交替整塊地板和半塊地板的模式。這會產生連續的規則圖案。

5. 地板的使用

地板安裝完畢後，可以立即清洗並使用。

地暖啟動方案：完成 FLOORIGO Click 地板安裝後至少 72 小時，每天可以以 1°C 的小幅度逐漸升高水溫，直到達到最高溫度 27°C。

安裝後清潔：地板可透過掃地、吸塵或使用專用 PVC 清潔產品濕擦來清潔。務必清除任何污漬，例如污漬。立即清除地板上的腐蝕性物質！

保護：在家具下方施加適當的保護。我們建議您為您的家具安裝軟腳墊。請勿使用毛氈，因為污垢會積聚在毛氈下，從而刮傷地板。

門墊：確保你有一個好的門墊；它可以防止地板上留下很多污垢。如果您需要更多建議，請隨時與我們聯繫。

6. 維護保養

FLOORIGO 地板以其高品質、耐用性和美觀而聞名。為了保持其美麗的外觀，建議您正確保養地板。定期清掃或吸塵地板，因為沙子和污垢會刮傷地板表面。定期用溫水拖地，額外的清潔只能使用特殊的 PVC 清潔劑。為了獲得最佳效果，我們建議您向專家諮詢正確的維護產品。請勿使用化學物質或硬刷/百潔布，因為它們會損壞頂層。

Figure 1 - 圖1

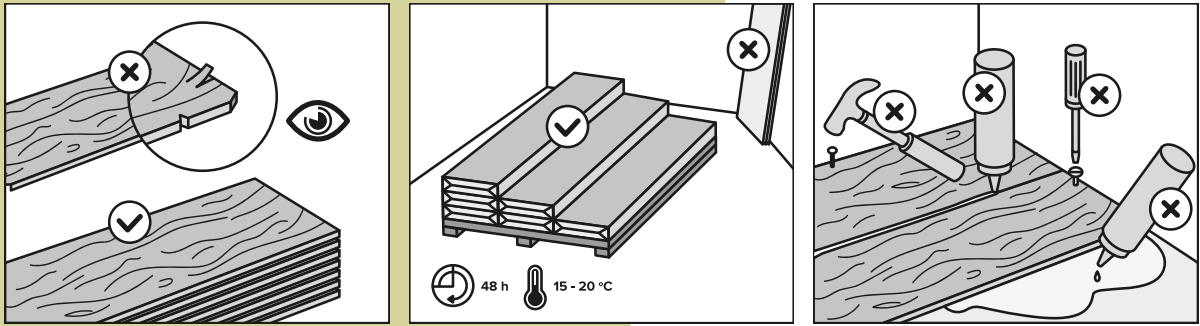
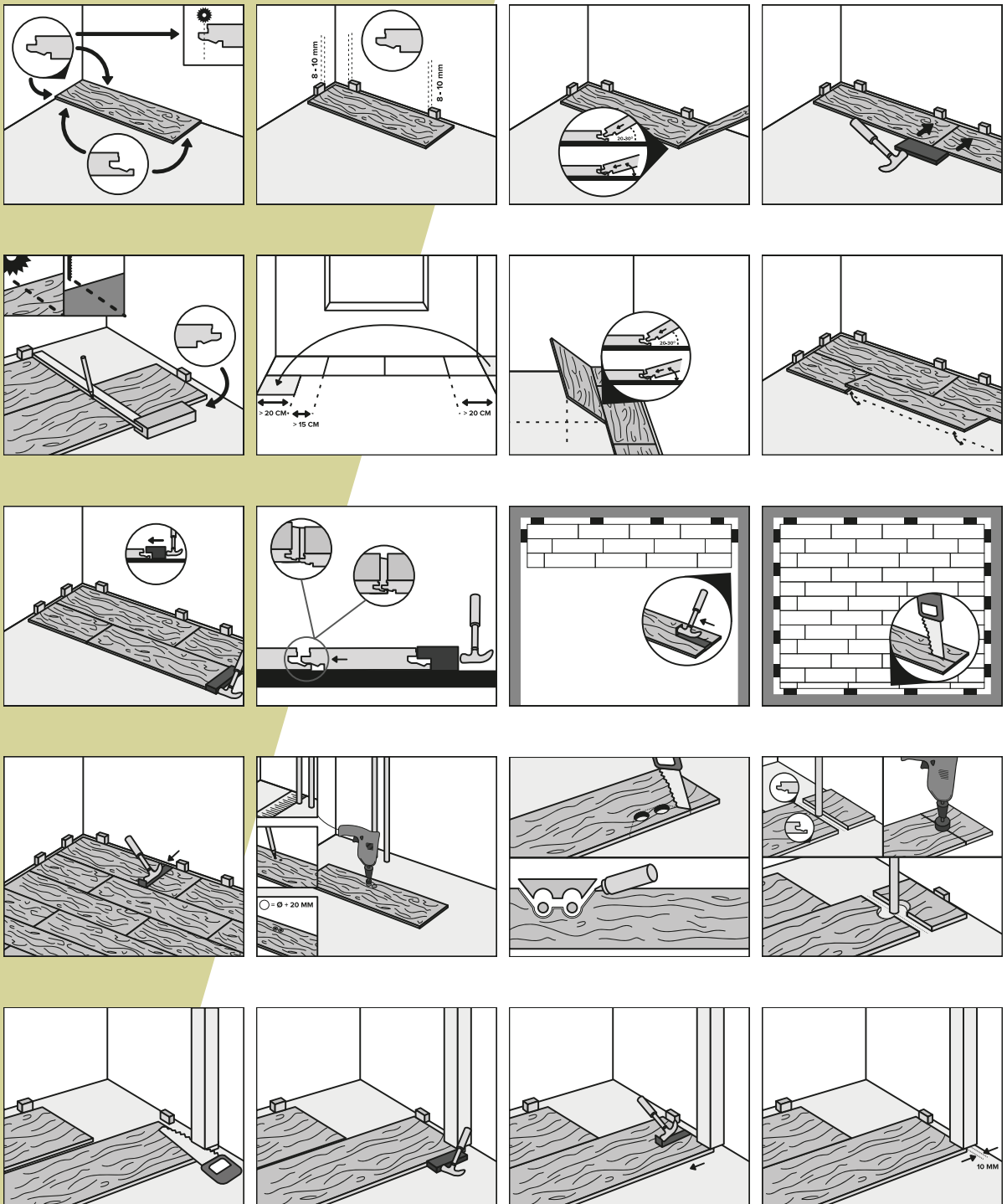


Figure 2 - 圖2





DIBt

SGS



